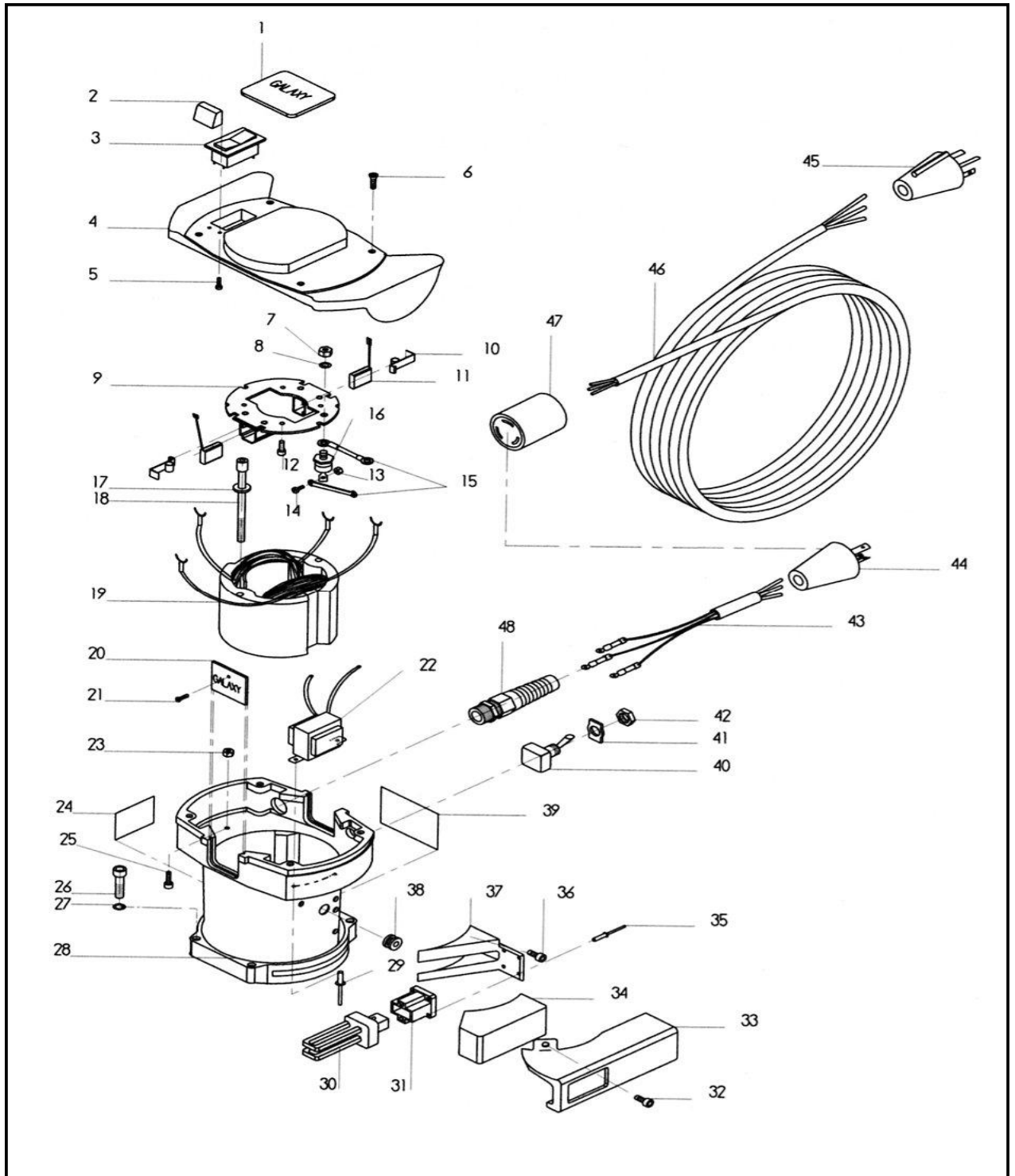
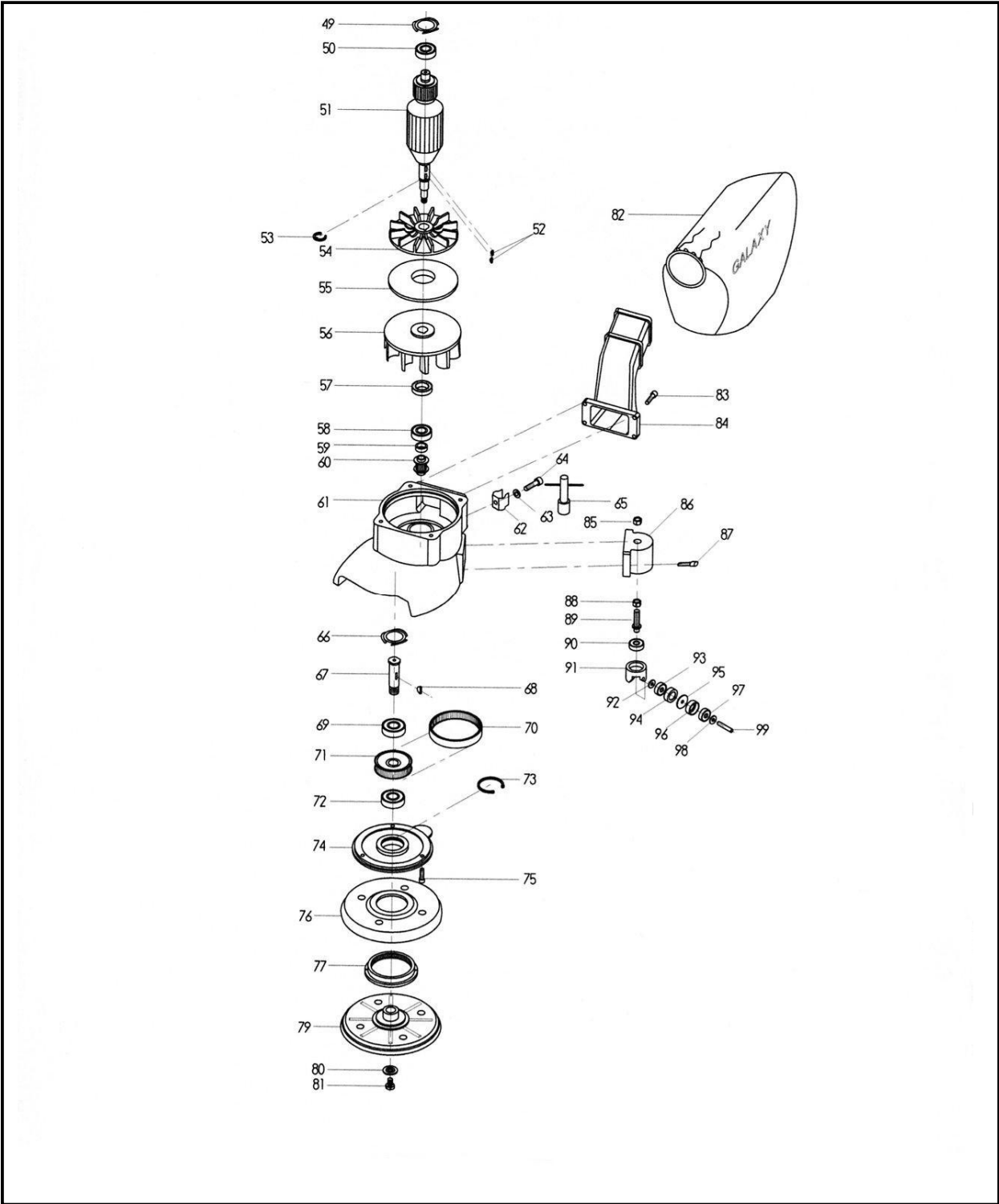


Galaxy Elite 3 Edger Parts Drawing: Top of Machine



Galaxy Elite 3 Edger Parts Drawing: Bottom of Machine



Galaxy Elite 3 Edger Parts List

| Reference # | Description | Part # |
|-------------|-------------------------------|--------|
| 1 | Plate – Name | 612 |
| 2 | Guard – Switch | 613 |
| 3 | Switch – On/Off | 614 |
| 4 | Housing – Top | 601 |
| 5 | Screw - | 615 |
| 6 | Screw – #10-24 x 1 S.S. Flat | 616 |
| 7 | Nut – ¼-20 | 617 |
| 8 | Washer – Lock | 618 |
| 9 | Assembly – Brush Card | 619 |
| 10 | Spring – Brush | 620 |
| 11 | Brush – Motor | 622 |
| 12 | Screw - #8-32 x 1/2 | 126 |
| 13 | Nut - #6-32 Lock | 127 |
| 14 | Screw - #6-32 x 3/8 | 258 |
| 15 | Assembly – Lead Wire | 623 |
| 16 | Rectifier – Half Wave | 624 |
| 17 | Washer - #10 Flat | 117 |
| 18 | Screw - #10-24 x 3 Soc. Cap | 625 |
| 19 | Field Assembly – 115v | 626 |
| | Field Assembly – 230v | 726 |
| 20 | Cover – Vent | 627 |
| 21 | Screw - #6-32 Flat | 628 |
| 22 | Ballast – 115v | 629 |
| | Ballast – 230v | 729 |
| | Ballast – 230v 50hz | 730 |
| 23 | Nut – #10-32 Lock | 205 |
| 24 | Label – Specifications 115v | 630 |
| | Label – Specifications 230v | 731 |
| 25 | Screw - #10-24 x 3/8 | 170 |
| 26 | Screw – ¼-20 x 1 ½ S.S. | 632 |
| 27 | Washer – Lock S.S. | 633 |
| 28 | Housing – Field Assembly | 602 |
| 29 | Rivet – 5/32 x 5/8 | 634 |
| 30 | Bulb – Compact Fluorescent 9W | 635 |
| 31 | Socket – Bulb | 636 |
| 32 | Screw - #10-24 x ½ Soc. Cap | 86 |
| 33 | Guard – Light | 637 |
| 34 | Lens – Light | 638 |
| 35 | Rivet – 1/8 x ¾ | 639 |
| 36 | Screw - #10-24 x ½ Soc. Cap | 86 |
| 37 | Bracket – Light Support | 640 |
| 38 | Insulator – Rubber | 642 |

| | | |
|----|--------------------------------|-----|
| 39 | Label – Warning | 643 |
| 40 | Switch – High/Low | 644 |
| 41 | Plate – Hi/Lo | 645 |
| 42 | Nut – Retaining | 646 |
| 43 | Cord – Pigtail Assembly 115v | 647 |
| | Cord – Pigtail Assembly 230v | 747 |
| 44 | Plug – 115v Male Twist Lock | 648 |
| | Plug – 230v Male Twist Lock | 748 |
| 45 | Plug – 115v Straight Blade | 649 |
| | Plug – 230v Straight Blade | 749 |
| 46 | Cord Assembly – 115v 50ft | 650 |
| | Cord Assembly – 230v 50ft | 750 |
| 47 | Plug – 115v Female Twist Lock | 652 |
| | Plug – 230v Female Twist Lock | 752 |
| 48 | Strain Relief - 115v | 653 |
| | Strain Relief – 230v | 753 |
| 49 | Washer – Spring | 654 |
| 50 | Bearing – 6202 2RS C3 | 52 |
| 51 | Armature Assembly - 115v | 655 |
| | Armature Assembly – 230v | 755 |
| 52 | Key – 1/8 x 5/8 Woodruff | 656 |
| 53 | Ring – Retaining | 657 |
| 54 | Fan – Cooling | 609 |
| 55 | Baffle – Vacuum Fan | 658 |
| 56 | Fan – Vacuum | 610 |
| 57 | Seal – Dust | 659 |
| 58 | Bearing – 6202 2RS C3 | 52 |
| | Pinion Pulley – Complete | 671 |
| 59 | Spacer – Bearing | 670 |
| 60 | Pulley – Pinion | 672 |
| 61 | Housing – Belt | 603 |
| 62 | Clip – Wrench | 673 |
| 63 | Washer – Lock | 674 |
| 64 | Screw - #10-24 x ½ | 675 |
| 65 | Wrench | 676 |
| 66 | Washer – Spring | 677 |
| 67 | Shaft – Drive Pulley | 678 |
| 68 | Key – 1/8 x 5/8 Woodruff | 656 |
| 69 | Bearing – 6203 2RS C3 | 355 |
| 70 | Belt – Drive | 679 |
| 71 | Pulley – Drive | 680 |
| 72 | Bearing – 6203 2RS C3 | 355 |
| 73 | Ring – Retaining | 362 |
| 74 | Cover – Belt Housing | 605 |
| 75 | Screw – ¼-20 x ¾ Flat Soc. Cap | 268 |
| 76 | Guard – Disc | 606 |
| 77 | Nut – Locking | 682 |
| 78 | Washer – Fiber | 683 |
| 79 | Pad – Sanding | 684 |

| | | |
|----|----------------------------------|-----|
| 80 | Washer – Paper Retaining | 685 |
| 81 | Bolt – Paper Retaining | 686 |
| 82 | Bag – Dust | 687 |
| 83 | Screw - #10-24 x ½ Soc. Cap | 86 |
| 84 | Pipe – Dust | 604 |
| 85 | Nut – ½-13 Cap Nut | 688 |
| 86 | Housing – Caster Assembly | 607 |
| 87 | Screw - #10-24 x ¾ | 89 |
| 88 | Nut – ½-13 Jam | 689 |
| | Caster Assembly – Complete | 691 |
| 89 | Stud – Caster Swivel | 690 |
| 90 | Bearing – Swivel 629 2RSL | 692 |
| 91 | Yoke – Caster | 608 |
| 92 | Spacer – Wheel | 693 |
| 93 | Bearing – Wheel 608-8mm 2RSL | 694 |
| 94 | Wheel | 695 |
| 95 | Spacer – Wheel | 693 |
| 96 | Wheel | 695 |
| 97 | Bearing – Wheel 608-8mm 2RSL | 694 |
| 98 | Spacer – Wheel | 693 |
| 99 | Pin - Wheel | 696 |
| | Disc Removal Bar (see page 9) | 697 |
| | Locking Nut Remover (see page 9) | 698 |

Galaxy's Limited Warranty

Galaxy Floor Sanding Machines is the manufacturer and is hereafter referred to as "Galaxy." The Galaxy Elite 3 Edger, hereafter referred to as "the unit," is warranted to be free from defects in materials and workmanship for a period of one year from the date of purchase, when prepared, operated and maintained in accordance with the instructions in Galaxy's Elite 3 Edger Operator & Maintenance Instructions booklet and the following Conditions of Warranty are met.

Conditions of Warranty

- 1. Registration:** A completed Warranty Registration Card and a copy of the original sales receipt must have been placed in the mail addressed to Galaxy within fourteen (14) days of the date of original purchase.
- 2. Original Registered Owner:** This warranty only applies to the original registered owner. It is not transferable upon resale.
- 3. Normal Wear:** The warranty does not cover normal wear parts such as the drive belt and motor brushes. It does not cover reasonable wear and tear to other parts of the unit.
- 4. Qualifications:** Regardless of any statement Galaxy cannot determine a unit's qualification for warranty repair without physical inspection. The unit must not have been altered, modified or repaired by anyone other than those authorized by Galaxy. The serial number on the unit must not have been altered or removed. The unit must not have been subject to accident, misuse and abuse. It shall not have been let out or used as a rental unit. Galaxy's judgment in respect to the unit's qualification for warranty repair is final.
- 5. Proper Delivery of a Unit:** The owner must prepay the shipping charges to and from the repair location(s). If accessories are sent with the unit they must be individually listed on the packing slips or shipping documentation. Galaxy and/or its distributors shall not have any liability if there is a failure to comply with these instructions.
- 6. Limitations:** Galaxy's liability under this warranty is limited to the repair of the unit and/or replacement of its parts and is given to the original owner in lieu of all other remedies, including incidental and consequential damages. There are no express warranties other than those specified herein. There are no warranties beyond the description of the face hereof. No warranties, including but not limited to merchantability, shall be implied.



Galaxy Floor Sanding Machines
84 Northline Road
Toronto, Ontario
Canada, M4B 3E5
(416) 263-5667
1(800) 263-5667
Fax: (416) 285-0506
www.galaxymachines.com
info@galaxymachines.com